

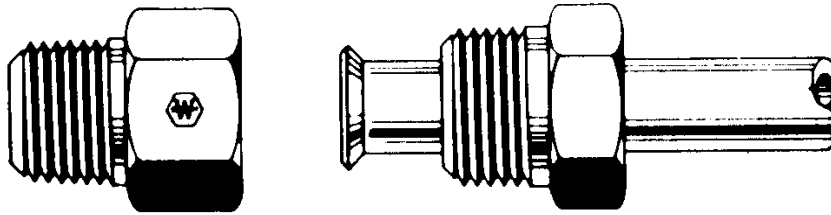
KOPPELINGEN WEATHERHEAD / RACCORDS WEATHERHEAD

INHOUDSTAFEL / TABLE DES MATIERES

INHOUDSTAFEL / TABLE DES MATIERES	1
INVERTED FLARE.....	2
SAE 45° FLARE	5
PIPE	7
COMPRESSION AND SELFALIGN	11
AIR BRAKE FOR NYLON TUBING.....	16
THREADED SLEEVE.....	18
POLYLINE	19
LOW PRESSURE HOSE & ENDS.....	20
DRAIN & SHUT-OFF VALVES.....	24

KOPPELINGEN WEATHERHEAD / RACCORDS WEATHERHEAD

INVERTED FLARE

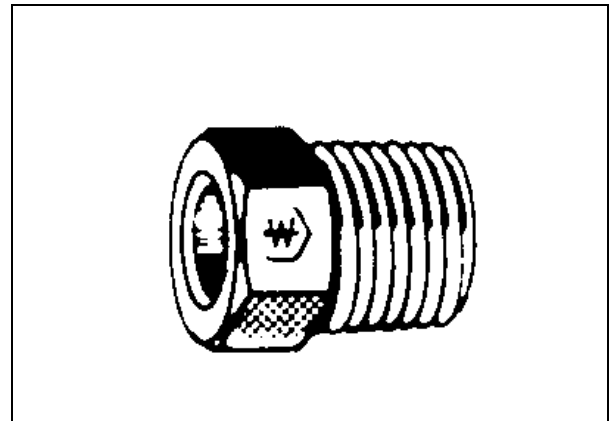


Tube Size	1/8	3/16	1/4	5/16	3/8	7/16	1/2	5/8	3/4	7/8
Thread Size	5/16	3/8	7/16	1/2	5/8	11/16	3/4	7/8	11/16	13/16
Threads per inch	28	24	24	20	18	18	18	18	16	16

STANDARD NUT

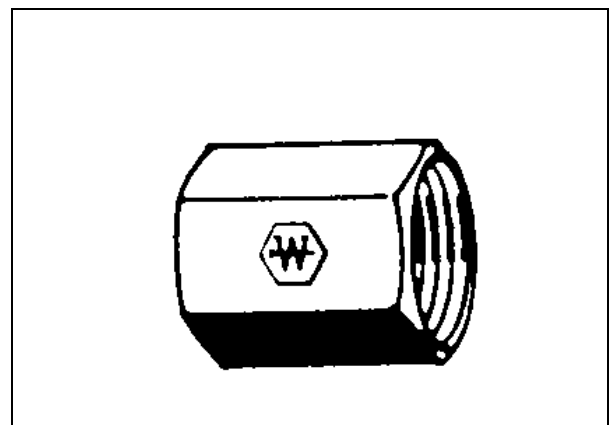
Art.N°Steel	Art.N° Brass	Tube size
WH 105x3	WH 100x3	3/16
WH 105x4	WH 100x4	1/4
WH 105x5	WH 100x5	5/16
WH 105x6	WH 100x6	3/8
WH 105x6x7*	-	3/8
WH 105x7	-	7/16
WH 105x8	WH 100x8	1/2

* Thread size 11/16 - 18



UNION

Art.N°	Tube size
WH 302x3	3/16
WH 302x4	1/4
WH 302x5	5/16
WH 302x6	3/8

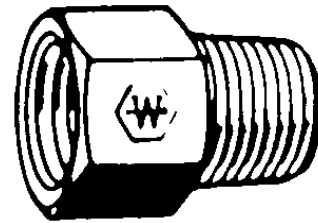


KOPPELINGEN WEATHERHEAD / RACCORDS WEATHERHEAD

INVERTED FLARE

MALE CONNECTOR

Art.N°	Pipe Thr'd	Tube size
WH 202x2	1/8	1/8
WH 202x3	1/8	3/16
WH 202x4	1/8	1/4
WH 202x4x4	1/4	1/4
WH 202x5	1/8	5/16
WH 202x5x4	1/4	5/16
WH 202x6	1/4	3/8
WH 202x6x6	3/8	3/8
WH 202x7	1/4	7/16
WH 202x8	3/8	1/2
WH 202x8x4	1/4	1/2
WH 202x8x8	1/2	1/2

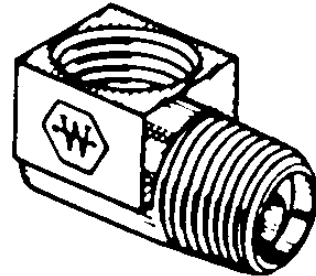


KOPPELINGEN WEATHERHEAD / RACCORDS WEATHERHEAD

INVERTED FLARE

MALE ELBOW

Art.N°	Pipe Thr'd	Tube size
WH 402x2	1/8	1/8
WH 402x3	1/8	3/16
WH 402x4	1/8	1/4
WH 402x4x4	1/4	1/4
WH 402x5	1/8	5/16
WH 402x5x4	1/4	5/16
WH 402x6	1/4	3/8
WH 402x6x6	3/8	3/8
WH 402x7	1/4	7/16
WH 402x8	3/8	1/2

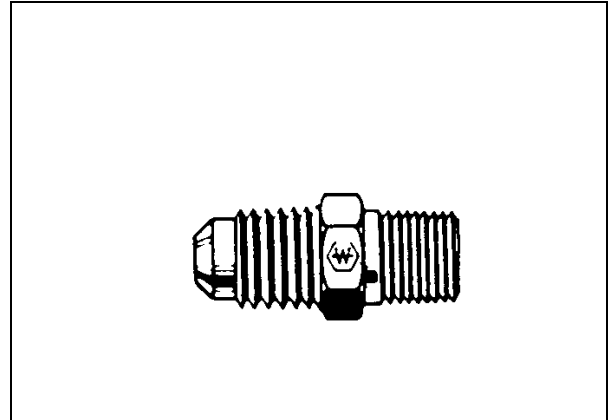


KOPPELINGEN WEATHERHEAD / RACCORDS WEATHERHEAD

SAE 45° FLARE

MALE CONNECTOR

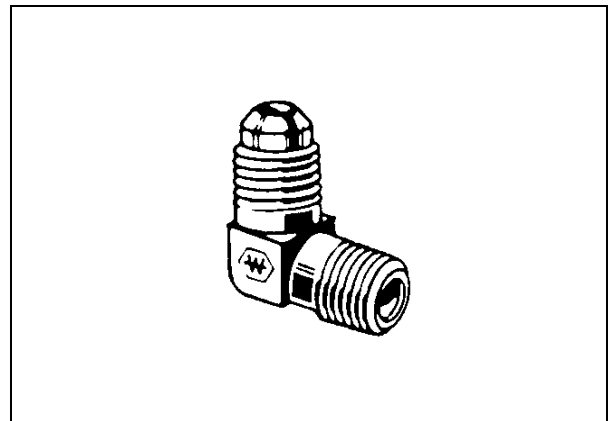
Art.N°	Pipe Thr'd	Tube size
WH 48x3	1/8	3/16
WH 48x4	1/8	1/4
WH 48x4x4	1/4	1/4
WH 48x5	1/8	5/16
WH 48x5x4	1/4	5/16
WH 48x6	1/4	3/8
WH 48x6x2	1/8	3/8
WH 48x6x6	3/8	3/8
WH 48x6x8	1/2	3/8
WH 48x8	3/8	1/2



WH 48x8x4	1/4	1/2
WH 48x8x8	1/2	1/2
WH 48x10	1/2	5/8
WH 48x10x6	3/8	5/8

MALE ELBOW

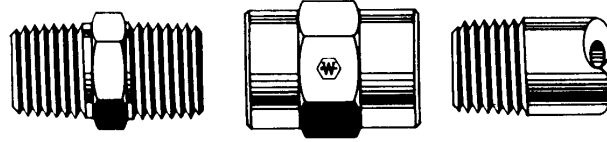
Art.N°	Pipe Thr'd	Tube size
WH 49x3	1/8	3/16
WH 49x4	1/8	1/4
WH 49x4x4	1/4	1/4
WH 49x4x6	3/8	1/4
WH 49x5	1/8	5/16
WH 49x5x4	1/4	5/16
WH 49x6	1/4	3/8
WH 49x6x2	1/8	3/8
WH 49x6x6	3/8	3/8
WH 49x6x8 ¹	1/2	3/8
WH 49x8	3/8	1/2
WH 49x8x4	1/4	1/2
WH 49x8x8	1/2	1/2



WH49x10x6 ¹	3/8	5/8
WH 49x12	1/2	3/4
WH 49x12x12	3/4	3/4

KOPPELINGEN WEATHERHEAD / RACCORDS WEATHERHEAD

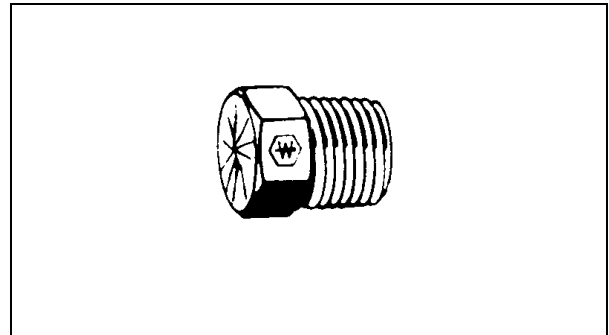
PIPE



Pipe Size	1/8	1/4	3/8	1/2	3/4	1
Threads per inch	27	18	18	14	14	11 1/2

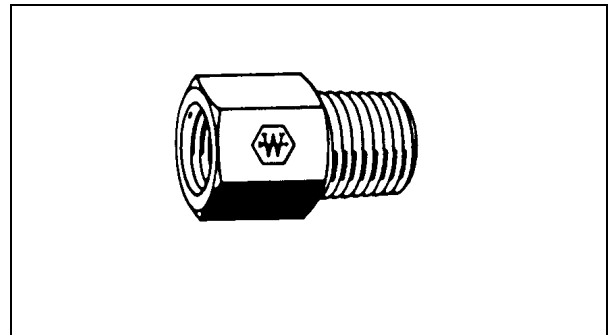
HEX HEAD PLUG

Art.N°	Pipe Thr'd
WH 3152x2	1/8
WH 3152x4	1/4
WH 3152x6	3/8
WH 3152x8	1/2



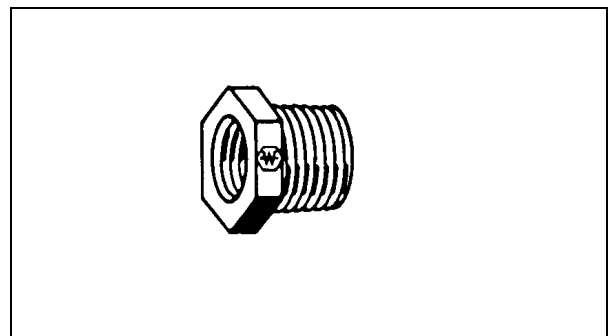
ADAPTER

Art.N°	Female	Male	
WH 3200 x 2	1/8	1/8	
WH 3200 x 4	1/4	1/4	
WH 3200 x 4 x 2	1/4	1/8	
WH 3200 x 6	3/8	3/8	
WH 3200 x 6 x 4	3/8	1/4	
WH 3200 x 8 x 6		1/2	3/8



BUSHING

Art.N°	Female	Male
WH 3220 x 4 x 2	1/8	1/4
WH 3220 x 6 x 2	1/8	3/8
WH 3220 x 6 x 4	1/4	3/8
WH 3220 x 8 x 2	1/8	1/2
WH 3220 x 8 x 4	1/4	1/2
WH 3220 x 8 x 6	3/8	1/2



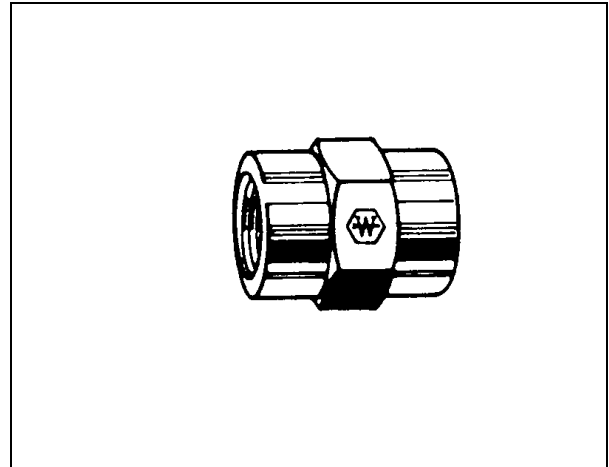
WH 3220 x 12 1/2 3/4

KOPPELINGEN WEATHERHEAD / RACCORDS WEATHERHEAD

PIPE

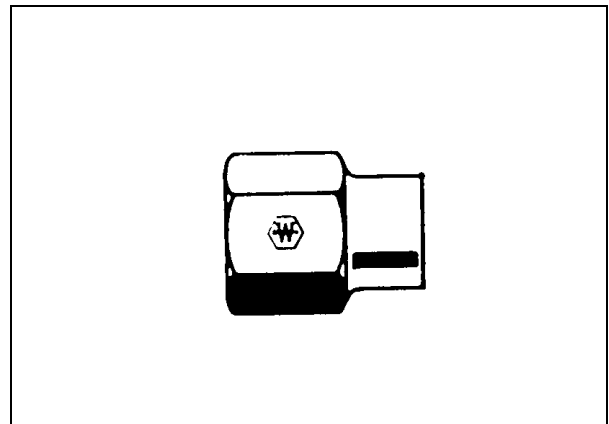
COUPLING

Art.N°	Pipe Thr'd
WH 3300x2	1/8
WH 3300x4	1/4
WH 3300x6	3/8
WH 3300x8	1/2



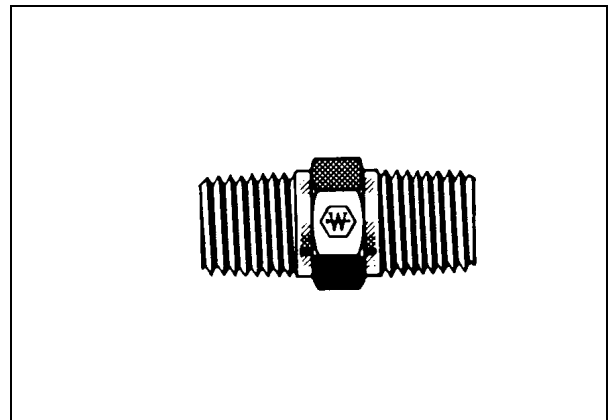
REDUCING COUPLING

Art.N°	Pipe Thr'd
WH 3300x4x2	1/4x1/8
WH 3300x6x4	3/8x1/4
WH 3300x8x6	1/2x3/8



HEX NIPPLE

Art.N°	Pipe Thr'd
WH 3325x2	1/8
WH 3325x4	1/4
WH 3325x4x2	1/4x1/8
WH 3325x6	3/8
WH 3325x6x4	3/8x1/4
WH 3325x8	1/2

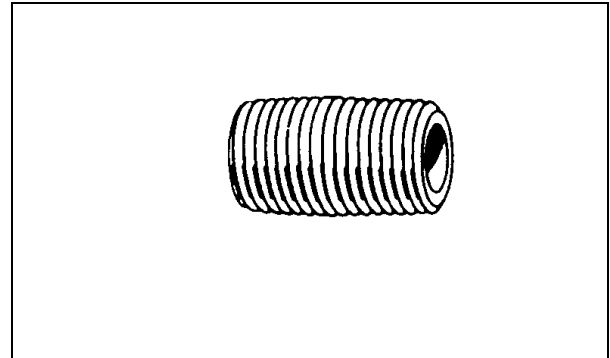


KOPPELINGEN WEATHERHEAD / RACCORDS WEATHERHEAD

PIPE

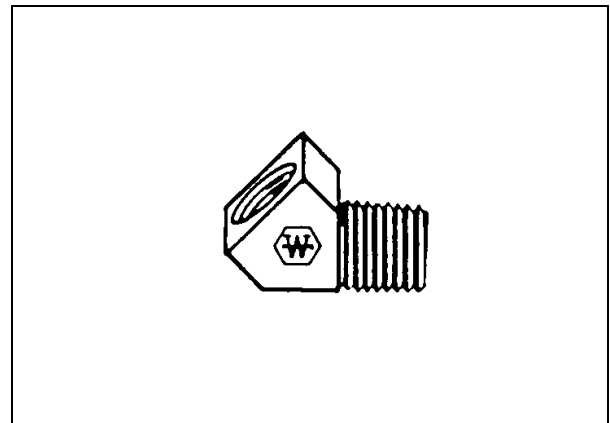
CLOSE NIPPLE

Art.N°	Pipe Thr'd
WH 3326x2	1/8
WH 3326x4	1/4
WH 3326x8	1/2



45° STREET ELBOW

Art.N°	Pipe Thr'd
WH 3350x2	1/8
WH 3350x4	1/4
WH 3350x6	3/8

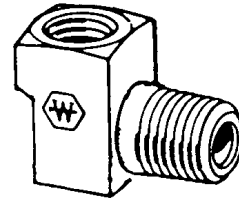


KOPPELINGEN WEATHERHEAD / RACCORDS WEATHERHEAD

PIPE

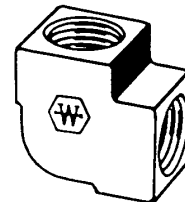
STREET ELBOW

Art.N°	Pipe Thr'd
WH 3400x2	1/8
WH 3400x4	1/4
WH 3400x6	3/8
WH 3400x8	1/2



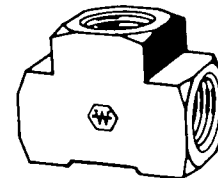
ELBOW

Art.N°	Pipe Thr'd
WH 3500x2	1/8
WH 3500x4	1/4
WH 3500x6	3/8
WH 3500x8	1/2



TEE

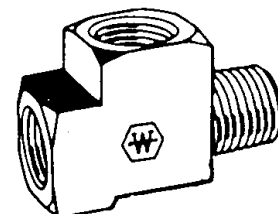
Art.N°	Pipe Thr'd
WH 3700x2	1/8
WH 3700x4	1/4
WH 3700x6	3/8
WH 3700x8	1/2



STREET TEE

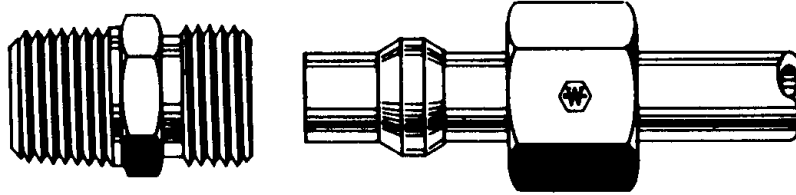
For oil installations

Art.N°	Pipe Thr'd
WH 3750x2	1/8
WH 3750x4	1/4
WH 3750x6	3/8
WH 3750x8	1/2



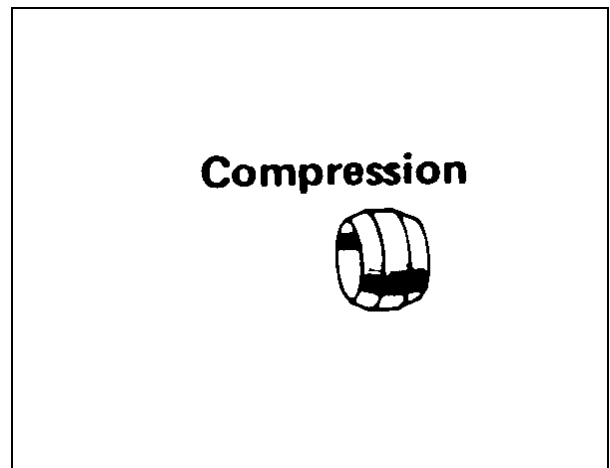
KOPPELINGEN WEATHERHEAD / RACCORDS WEATHERHEAD

COMPRESSION AND SELFALIGN



Tube Size	1/8	3/16	1/4	5/16	3/8	7/16	1/2	5/8	3/4	1
Thread Size	5/16	3/8	7/16	1/2	9/16	5/8	11/16	13/16	1	1 1/4
Threads per inch	24	24	24	24	24	24	20	18	18	18

SLEEVE	Compression
Art.N°	Tube size
WH 60x2	1/8
WH 60x3	3/16
WH 60x4	1/4
WH 60x5	5/16
WH 60x6	3/8
WH 60x7	7/16
WH 60x8	1/2
WH 60x10	5/8



KOPPELINGEN WEATHERHEAD / RACCORDS WEATHERHEAD

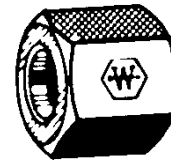
COMPRESSION AND SELFALIGN

SLEEVE		Selfalign
Art.N°	Tube size	
WH 601x2	1/8	
WH 601x3	3/16	
WH 601x4	1/4	
WH 601x5	5/16	
WH 601x6	3/8	
WH 601x8	1/2	
WH 601x10	5/8	

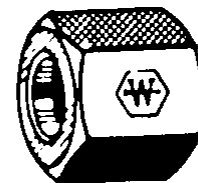
Selfalign



NUT		Compression
Art.N°	Tube size	
WH 61x2	1/8	
WH 61x3	3/16	
WH 61x4	1/4	
WH 61x5	5/16	
WH 61x6	3/8	
WH 61x7	7/16	
WH 61x8	1/2	
WH 61x10	5/8	



NUT Selfalign		Tube size
Art.N°	Tube size	
WH 611x2	1/8	
WH 611x4	1/4	
WH 611x6	3/8	
WH 611x8	1/2	

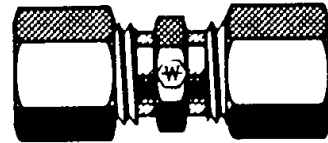


KOPPELINGEN WEATHERHEAD / RACCORDS WEATHERHEAD

COMPRESSION AND SELFALIGN

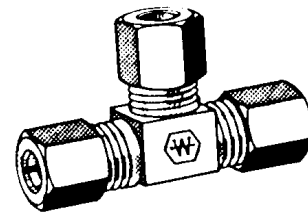
UNION

Art.N°	Tube size
WH 62x2	1/8
WH 62x3 **	3/16
WH 62x4	1/4
WH 62x5	5/16
WH 62x6	3/8
WH 62x8	1/2
WH 62x10	5/8



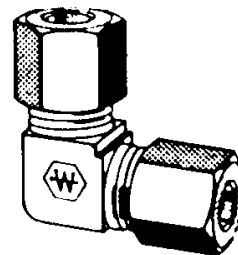
UNION TEE

Art.N°	Tube size
WH 64x3	3/16
WH 64x4	1/4
WH 64x5	5/16
WH 64x6	3/8
WH 64x8	1/2



UNION ELBOW

Art.N°	Tube size
WH 65x3	3/16
WH 65x4	1/4
WH 65x5	5/16
WH 65x6	3/8
WH 65x8	1/2



** wordt vervangen door remnippel SRR

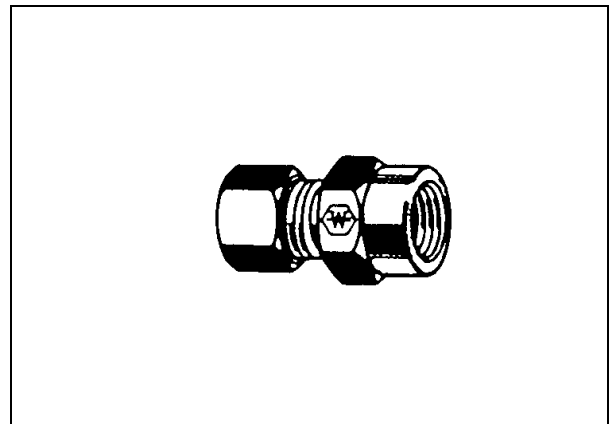
** sera remplacé par raccord de frein SRR

KOPPELINGEN WEATHERHEAD / RACCORDS WEATHERHEAD

COMPRESSION AND SELFALIGN

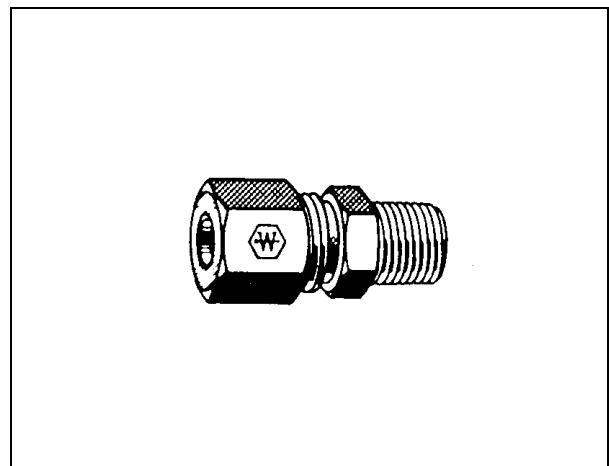
FEMALE CONNECTOR

Art.N°	Pipe Thr'd	Tube size
WH 66x2	1/8	1/8
WH 66x3	1/8	3/16
WH 66x4	1/8	1/4
WH 66x4x4	1/4	1/4
WH 66x5	1/8	5/16
WH 66x6	1/4	3/8
WH 66x6x2	1/8	3/8
WH 66x8	3/8	1/2



MALE CONNECTOR

Art.N°	Pipe Thr'd	Tube size
WH 68x2x1	1/16	1/8
WH 68x2	1/8	1/8
WH 68x3	1/8	3/16
WH 68x4	1/8	1/4
WH 68x4x4	1/4	1/4
WH 68x5	1/8	5/16
WH 68x5x4	1/4	5/16
WH 68x6	1/4	3/8
WH 68x6x2	1/8	3/8
WH 68x6x6	3/8	3/8
WH 68x6x8	1/2	3/8



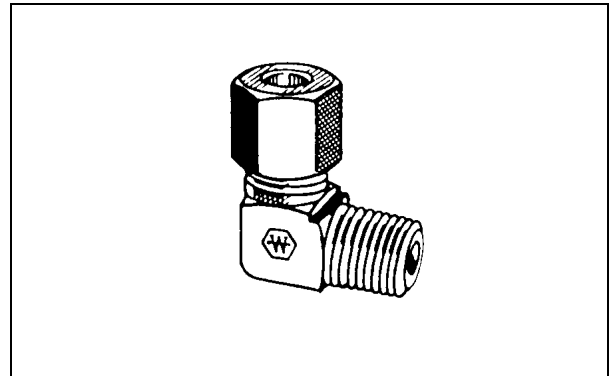
WH 68x8	3/8	1/2
WH 68x8x4	1/4	1/2
WH 68x8x8	1/2	1/2
WH 68x10	1/2	5/8

KOPPELINGEN WEATHERHEAD / RACCORDS WEATHERHEAD

COMPRESSION AND SELFALIGN

MALE ELBOW

Art.N°	Pipe Thr'd	Tube size
WH 69x2	1/8	1/8
WH 69x3 ¹	1/8	3/16
WH 69x4 ¹	1/8	1/4
WH 69x4x4	1/4	1/4
WH 69x5 ¹	1/8	5/16
WH 69x5x4	1/4	5/16
WH 69x6	1/4	3/8
WH 69x6x2	1/8	3/8
WH 69x6x6	3/8	3/8
WH 69x6x8	1/2	3/8
WH 69x7	1/4	7/16

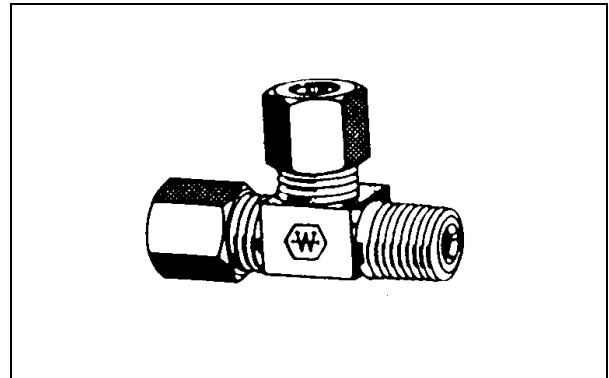


WH 69x8	3/8	1/2
WH 69x8x4	1/4	1/2
WH 69x8x8 ¹	1/2	1/2
WH 69x10 ¹	1/2	5/8

¹ Shape slightly different than illustration

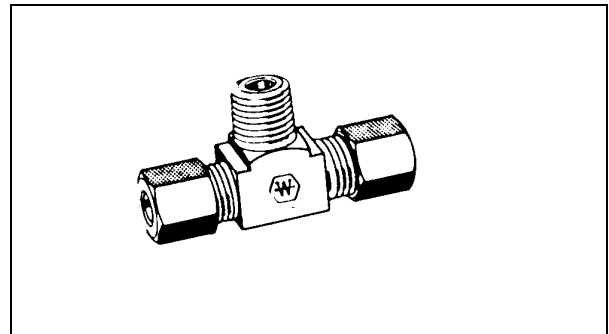
MALE RUN TEE

Art.N°	Pipe Thr'd	Tube size
WH 71x3	1/8	3/16
WH 71x4	1/8	1/4
WH 71x5	1/8	5/16
WH 71x6	1/4	3/8



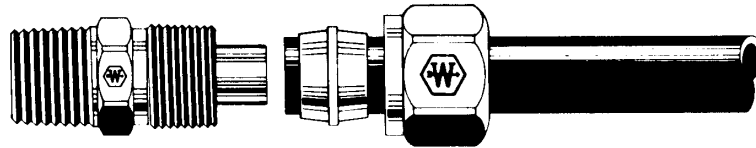
MALE BRANCH TEE

Art.N°	Pipe Thr'd	Tube size
WH 72x4	1/8	1/4
WH 72x4x4x4	1/4	1/4
WH 72x5	1/8	5/16
WH 72x6	1/4	3/8
WH 72x8	3/8	1/2



KOPPELINGEN WEATHERHEAD / RACCORDS WEATHERHEAD

AIR BRAKE FOR NYLON TUBING



Tube Size	1/4	3/8	1/2	5/8	3/4
Thread Size	7/16	17/32	11/16	13/16	1
Threads per inch	24	24	20	18	18

SLEEVE

Art.N° Tube size

WH 1460x4 1/4

WH 1460x6 3/8

WH 1460x8 1/2



NUT

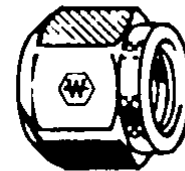
Art.N° Tube size

WH 1461x4 1/4

WH 1461x6 3/8

WH 1461x8 1/2

WH 1461x10 5/8



UNION

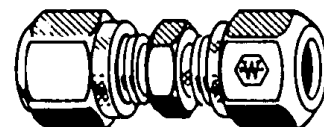
Art.N° Tube size

WH 1462x4 1/4

WH 1462x6 3/8

WH 1462x8 1/2

WH 1462x12 3/4

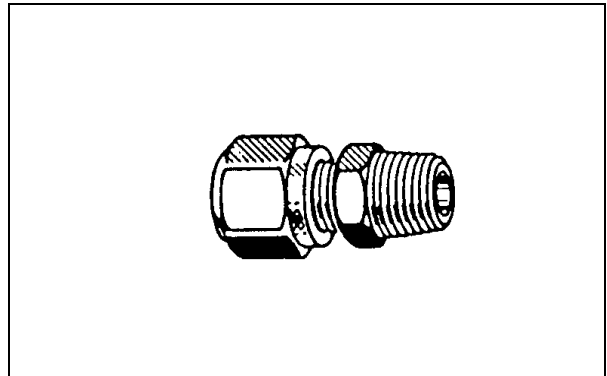


KOPPELINGEN WEATHERHEAD / RACCORDS WEATHERHEAD

AIR BRAKE FOR NYLON TUBING

MALE CONNECTOR

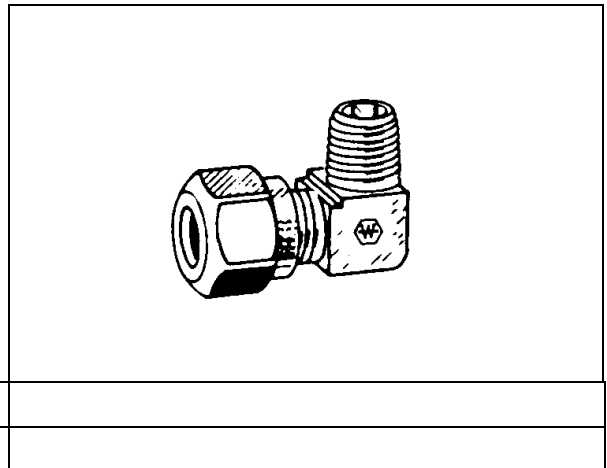
Art.N°	Pipe Thr'd	Tube size
WH 1468x4	1/8	1/4
WH 1468x4x4	1/4	1/4
WH 1468x4x6	3/8	1/4
WH 1468x6	1/4	3/8
WH 1468x6x2	1/8	3/8
WH 1468x6x6	3/8	3/8
WH 1468x6x8	1/2	3/8
WH 1468x8	1/4	1/2
WH 1468x8x4	1/2	1/2
WH 1468x8x8	1/2	1/2
WH 1468x8x12	3/8	5/8



WH 1468x10	1/2	5/8
WH 1468x10x6	3/8	5/8
WH 1468x10x12	3/4	5/8
WH 1468x12	1/2	3/4
WH 1468x12x12	3/4	3/4

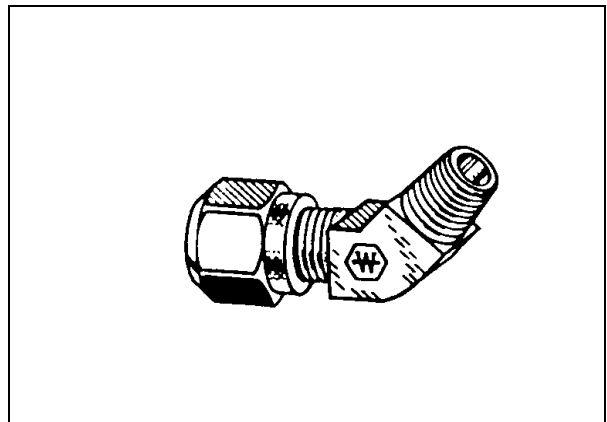
90° MALE ELBOW

Art.N°	Pipe Thr'd	Tube size
WH 1469x4	1/8	1/4
WH 1469x4x4	1/4	1/4
WH 1469x4x6	3/8	1/4
WH 1469x6	1/4	3/8
WH 1469x6x2	1/8	3/8
WH 1469x6x8	1/2	3/8
WH 1469x8x4	1/4	1/2



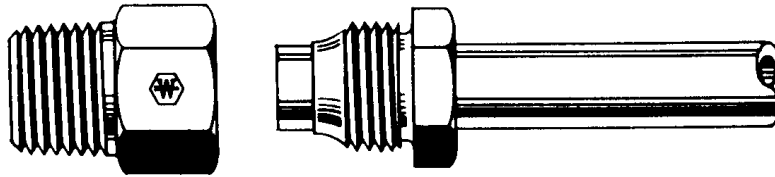
45° MALE ELBOW

Art.N°	Pipe Thr'd	Tube size
WH 1480x4	1/8	1/4
WH 1480x6	1/4	3/8
WH 1480x6x6	3/8	3/8
WH 1480x8	3/8	1/2
WH 1480x8x4	1/4	1/2
WH 1480x10	1/2	5/8



KOPPELINGEN WEATHERHEAD / RACCORDS WEATHERHEAD

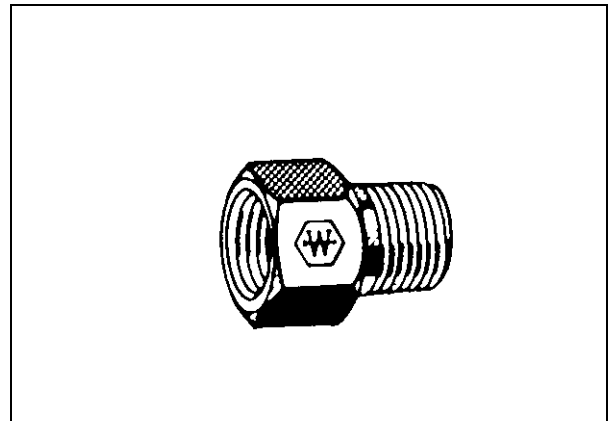
THREADED SLEEVE



Tube Size	1/8	3/16	1/4	5/16	3/8	7/16	1/2
Thread Size	5/16	3/8	7/16	1/2	9/16	5/8	11/16
Threads per inch	24	24	24	20	20	18	16

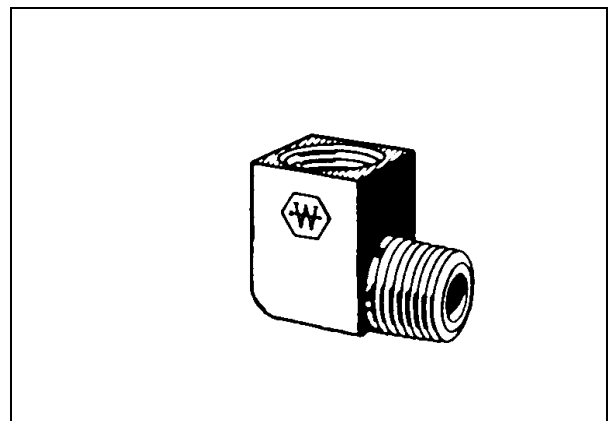
MALE CONNECTOR

Art.N°	Pipe Thr'd	Tube size
WH 6200x2	1/8	1/8
WH 6200x3	1/8	3/16
WH 6200x4	1/8	1/4
WH 6200x6	1/4	3/8



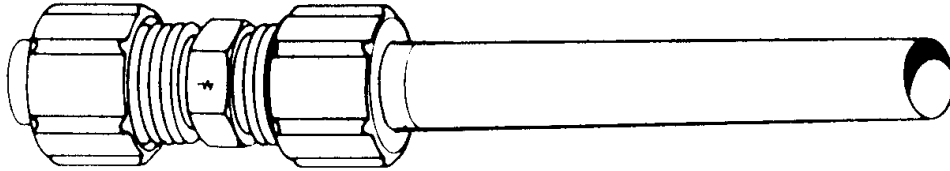
MALE ELBOW

Art.N°	Pipe Thr'd	Tube size
WH 6400x2	1/8	1/8
WH 6400x3	1/8	3/16
WH 6400x4	1/8	1/4
WH 6400x5	1/8	5/16



KOPPELINGEN WEATHERHEAD / RACCORDS WEATHERHEAD

POLYLINE



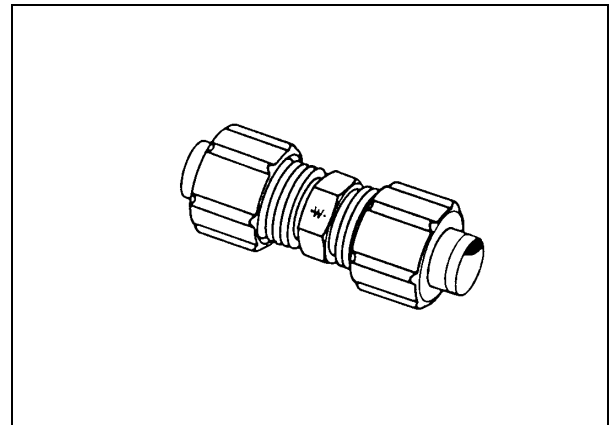
Tube O.D.	1/4	5/16	3/8	1/2
Thread Size	3/8-24	7/16-24	1/2-24	11/16-20

UNION

Art.N°

Tube O.D.

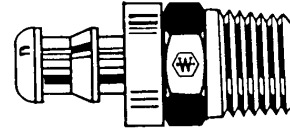
WH 1262x4	1/4
WH 1262x6	3/8



KOPPELINGEN WEATHERHEAD / RACCORDS WEATHERHEAD

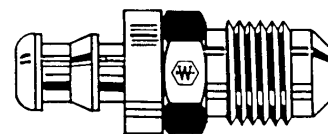
LOW PRESSURE HOSE & ENDS

MALE PIPE



Art.N°	Hose I.D.	Pipe size	Thread size	Cut-off Factor
WH 10004B-102	1/4	1/8	1/8-27	11/16
WH 10004B-104	1/4	1/4	1/4-18	7/8
WH 10005B-102	5/16	1/8	1/8-27	11/16
WH 10005B-104	5/16	1/4	1/4-18	7/8
WH 10006B-104	3/8	1/4	1/4-18	7/8
WH 10006B-106	3/8	3/8	3/8-18	15/16
WH 10008B-106	1/2	3/8	3/8-18	15/16
WH 10008B-108	1/2	1/2	1/2-14	1" 3/16

SAE RIGID MALE

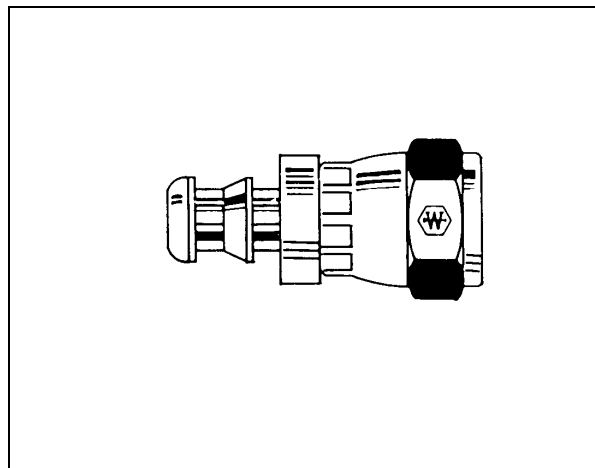


Art.N°	Hose I.D.	Tube size	Thread size	Cut-off factor
WH 10004B-304	1/4	1/4	7/16-20	13/16
WH 10004B-305	1/4	5/16	1/2-20	15/16
WH 10005B-305	5/16	5/16	1/2-20	15/16
WH 10006B-306	3/8	3/8	5/8-18	1"

KOPPELINGEN WEATHERHEAD / RACCORDS WEATHERHEAD

LOW PRESSURE HOSE & ENDS

SAE 37° (JIC) FEMALE SWIVEL

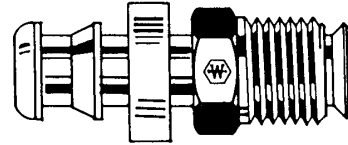


Art.N°	Hose I.D.	Tube size	Thread size	Cut-off factor
WH 10004B-604	1/4	1/4	7/16-20	3/4
WH 10005B-605	5/16	5/16	1/2-20	3/4
WH 10006B-606	3/8	3/8	9/16-18	7/8
WH 10008B-608	1/2	1/2	3/4-16	7/8
WH 10010B-610	5/8	5/8	7/8-14	1" 1/16

KOPPELINGEN WEATHERHEAD / RACCORDS WEATHERHEAD

LOW PRESSURE HOSE & ENDS

INVERTED MALE SWIVEL

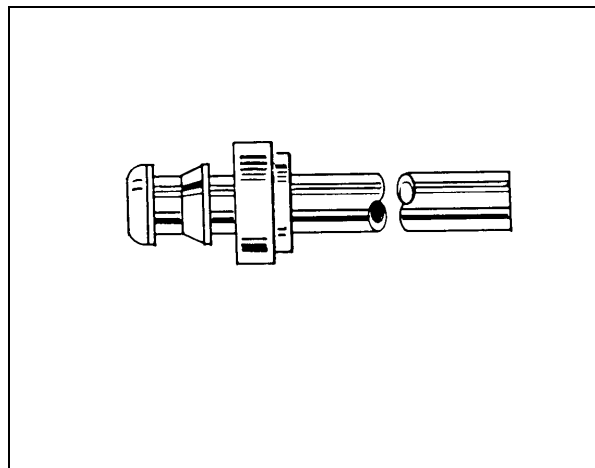


Art.N°	Hose I.D.	Pipe size	Thread size	Cut-off factor
WH 10004B-B03	1/4	3/16	3/8-24	1" 1/16
WH 10004B-B04	1/4	1/4	7/16-24	1" 1/8
WH 10004B-B05	1/4	5/16	1/2-20	1" 3/16
WH 10005B-B04	5/16	1/4	7/16-24	1" 3/16
WH 10005B-B05	5/16	5/16	1/2-20	1" 3/16
WH 10006B-B05	3/8	5/16	1/2-20	1" 3/16
WH 10006B-B06	3/8	3/8	5/8-18	1" 1/4
WH 10008B-B08	1/2	1/2	3/4-18	1" 1/4

KOPP. LAGE DRUK WEATHERHEAD

LOW PRESSURE HOSE & ENDS

RIGID TUBE



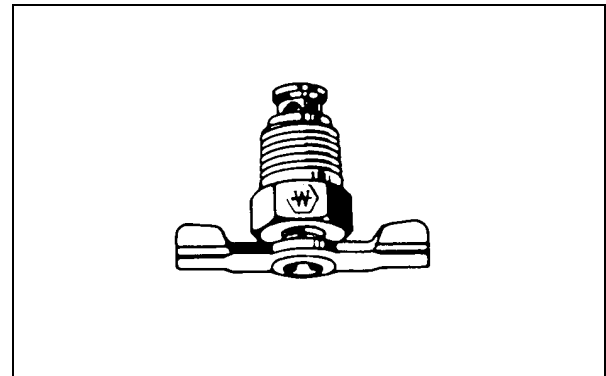
Art.N°	Hose I.D.	Tube size	Cut-off factor
WH 10004B-X03	1/4	3/16	1" 1/8
WH 10004B-X04	1/4	1/4	1" 3/16
WH 10004B-X05	1/4	5/16	1" 1/4
WH 10005B-X05	5/16	5/16	1" 1/4
WH 10006B-X06	3/8	3/8	1" 5/16

KOPPELINGEN WEATHERHEAD / RACCORDS WEATHERHEAD

DRAIN & SHUT-OFF VALVES

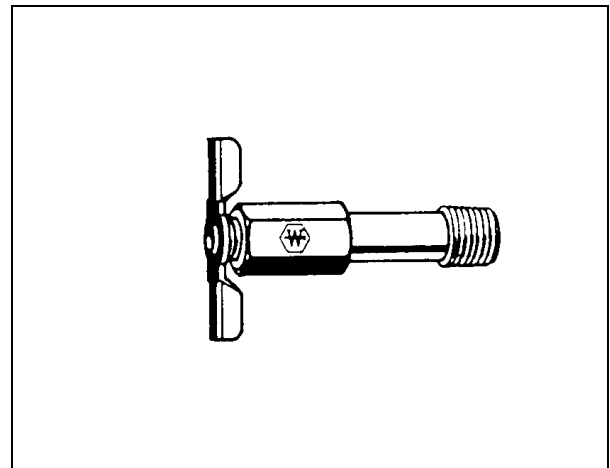
EXTERNAL SEAT

Art.N°	Pipe Thr'd
WH 135	1/8
WH 145	1/4
WH 270	3/8



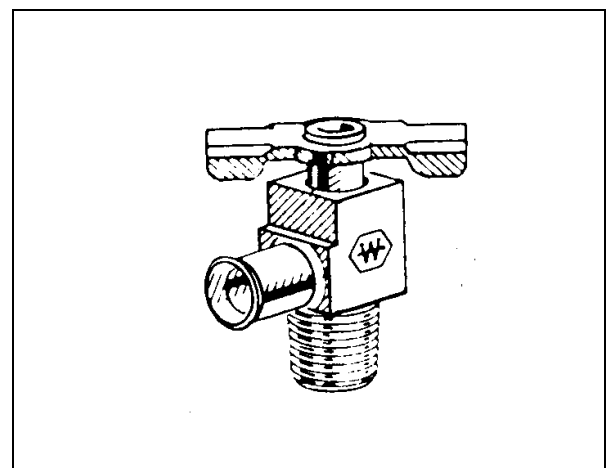
LONG

Art.N°	Pipe Thr'd	Length
WH 185	1/8	1" 3/4



ANGLE BIB DRAIN

Art.N°	Pipe Thr'd
WH 150	1/8
WH 120	1/4

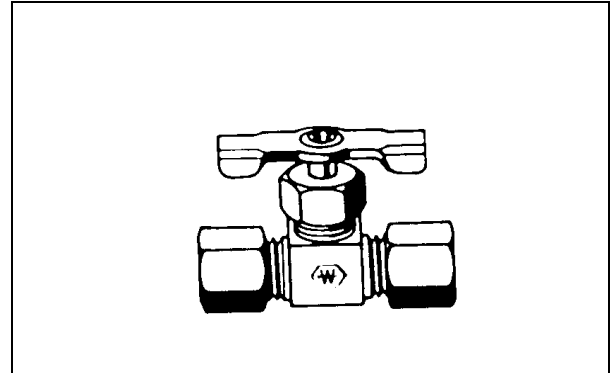


KOPPELINGEN WEATHERHEAD / RACCORDS WEATHERHEAD

DRAIN & SHUT-OFF VALVES

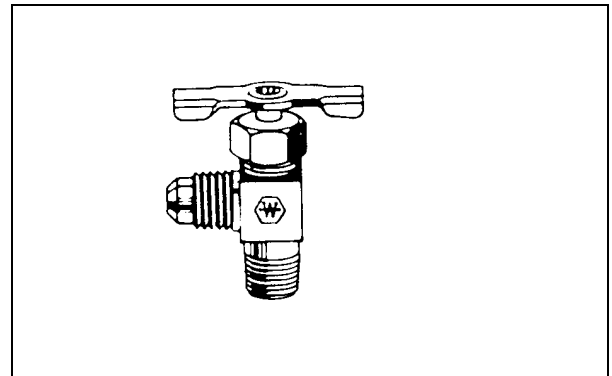
COMPRESSION DOUBLE

Art.N°	Tube size
WH A6765	1/4
WH A6770	5/16



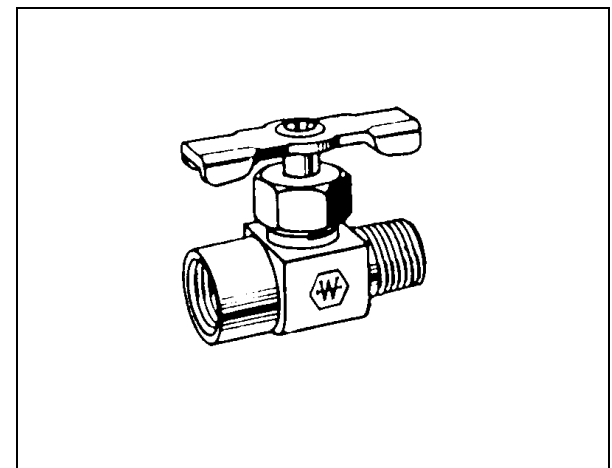
SAE ANGLE

Art.N°	Pipe Thr'd	Tube size
WH 325	1/8	5/16
WH 330	1/4	3/8



MALE AND FEMALE PIPE

Art.N°	Pipe Thr'd
WH 6820	1/8
WH 6825	1/4

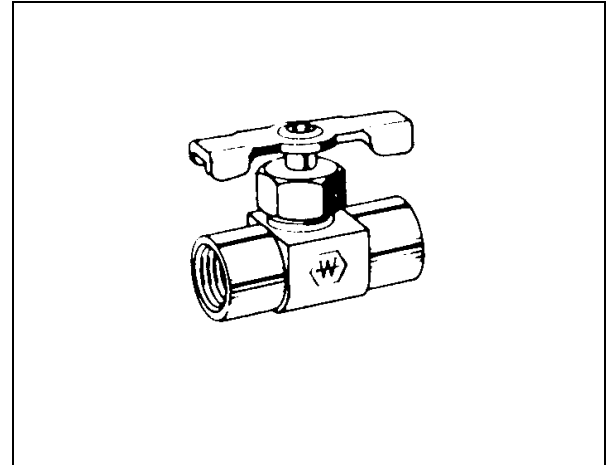


KOPPELINGEN WEATHERHEAD / RACCORDS WEATHERHEAD

DRAIN & SHUT-OFF VALVES

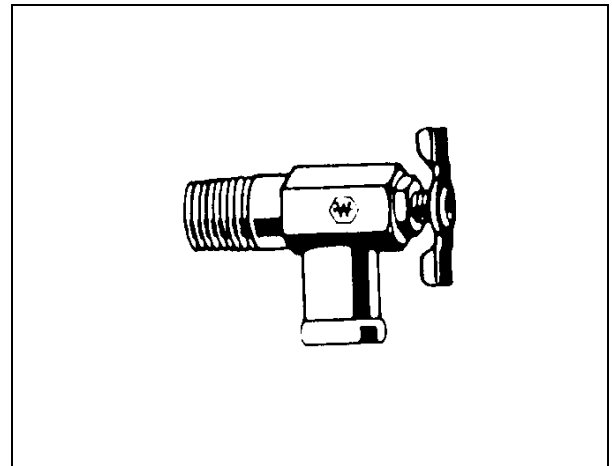
DOUBLE FEMALE PIPE

Art.N°	Pipe Thr'd
WH 6800	1/8
WH 6805	1/4



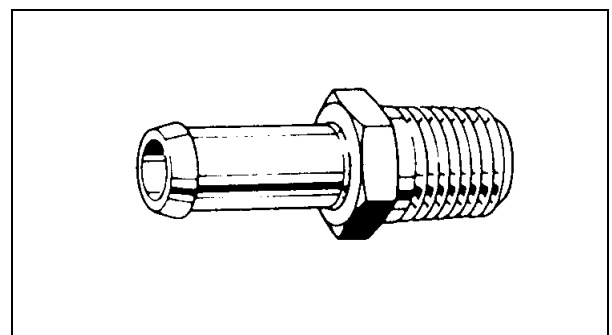
FOR WATER HEATERS

Art.N°	Pipe Thr'd	Hose size
WH 211280	3/8	5/8



MALE PIPE

Art.N°	Pipe Thr'd	Hose I.D.
WH 1581	1/4	1/4
WH 1555	1/4	5/16
WH 1564	1/4	3/8
WH 1566	3/8	3/8
WH 1411 ¹	3/8	5/8
WH 1431 ¹	1/2	5/8



¹ Shape slightly different than illustrated